

RL5000^{XP}



*RL5000^{XP}
with high
topper*

Triton's PC platform RL5000^{XP} is changing the way people think about ATMs. The all-new model offers a stunning 10.4 inch LCD display and supports a long list of value-added transactions. All at a much lower price point than other PC-based machines.

The surprisingly affordable ATM that offers value-added transactions on customized screens.

Furthermore, Triton's Prism™ ATM software provides banks with a simple HTML interface for customized screen content.

This revolutionary configuration offers vendor independence through the XFS specification and makes possible a long list of revenue generating value-added services.

But what makes the Triton RL5000^{XP} most popular with banks and credit unions is that it meets all regulatory requirements at half the cost. The PC-based RL5000^{XP} includes an Encrypting PIN Pad (EPP), and full ADA and Triple DES compliance.

In addition to its low price, the RL5000^{XP} also offers an extremely low cost of operation. The wide range of dispensers available offers customers the ability to choose the capacity that most matches their usage.

There's not another PC ATM on the market that offers the level of performance and cost-competitiveness delivered by the Triton RL5000^{XP}. The future of ATMs is here.

 **Triton**® WHERE MONEY COMES FROM.™
A  DOVER COMPANY

RL5000XP IN DETAIL

The future of ATMs is here.

FEATURES:

- One to four cassettes
- 80 mm thermal printer with presenter
- 2 MB journal storage (32,768 records)
- Dip-style card reader; optional dip EMV smart card reader / encoder, EMV motorized card reader (Track 1,2,3 Read), or EMV motorized card reader (Track 1,2,3 Read, Track 3 Write)
- Americans with Disabilities Act (ADA) compliant
- Audio transactions for the visually impaired
- Encrypting PIN Pad (EPP) to comply with all international encryption standards, Triple DES compliant, optional metal EPP
- UL 291 Business Hours cabinet or optional UL 291 Level 1 Safe
- Electronic lock or optional Kaba Mas Cencon lock

- Multi-lingual capabilities
- Dial-up 56k baud internationally certified modem and TCP/IP communications; optional wireless, SNA / SDLC, Bisync
- Dimensions:
 - Width 17.0" (432 mm)
 - Depth 32.33" (821 mm)
 - Height 55.5" (1410 mm) without topper
 - Height 65.1" (165 mm) with topper
 - 79.0 high (200 mm) with high topper
- Weight:
 - 172 lbs (78 kg) weight varies with options
- Advertising potential:
 - Decals and signage
 - Couponing
 - Display graphics

OPERATING SYSTEM:

- Intel® Celeron® or optional Intel Pentium® III
- Microsoft® Windows® XP

- Software options:
 - Triton Standard
 - XFS compliance
 - Emulation
- 40 GB 3.5" (89 mm) hard drive, expandable
- 256 MB SDRAM, expandable
- 10.4" (264 mm) SVGA color display with 800 x 600 resolution
- CD/DVD-ROM external drive optional
- Journal printer optional
- Six USB master ports
- One parallel port
- Six serial ports
- Two 32-bit PCI expansion slots

OPERATING SPECS:

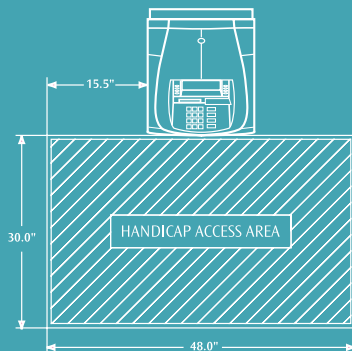
- Temperature:
 - 10° – 40° C / 50° – 104°F
- Relative Humidity:
 - 20% to 80% non-condensing
- Power Consumption:
 - 2.0 A @ 115 VAC at 60 Hz
 - 1.0 A @ 230 VAC at 50 Hz



RL5000XP
with
topper



ATM INSTALLATION SPACE REQUIREMENTS FOR ADA COMPLIANCE



The dimensions shown comply with US Federal ADA guidelines. For installation within the US, be sure to check state and local guidelines for complete compliance. For non - USA installations, check regulations for the country in which the machine will be installed.

*specifications subject to change without notice
**certain models increase depth by 6" (153 mm)

For additional information on any of the ATMs in Triton's line-up, please visit our website at www.tritonatm.com.

Triton • 522 East Railroad Street • Long Beach, Mississippi 39560 USA
Phone: 1-228-868-1317 • Toll free: USA & Canada 1-800-367-7191
www.tritonatm.com • email: sales@trtn.com



Triton is a registered trademark of Triton Systems of Delaware, Inc. Triton is an operating company of Dover Industries, Inc., a subsidiary of Dover Corporation (NYSE:DOV). © Delaware Capital Formation, Inc., 2004. All Rights Reserved. DOVER and DOVER logo are registered trademarks of Delaware Capital Formation, Inc., a wholly-owned subsidiary of Dover Corporation.